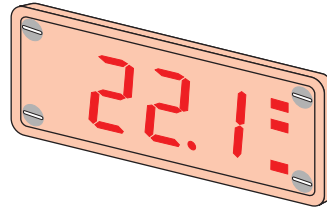
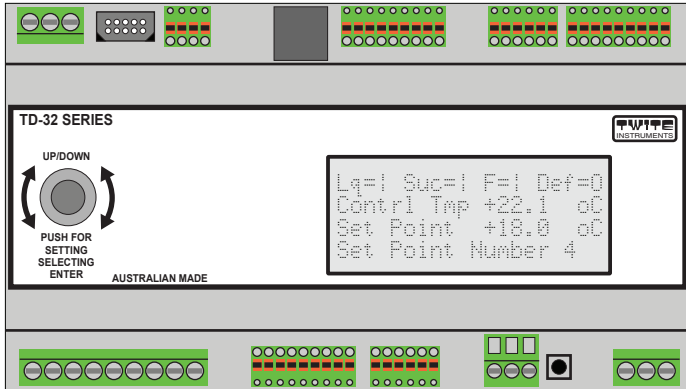




MultiScan

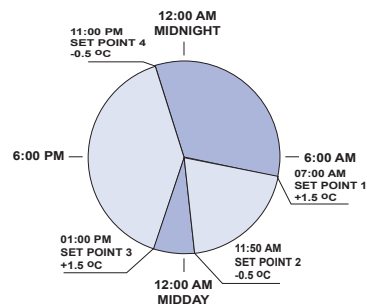
Temperature & Plant Control Model TD-32-MT for a single cool room or milk vat



**OPTIONAL LED
REMOTE PANEL
DISPLAY**

4 TEMPERATURE SET POINTS ASSOCIATED WITH TIME OF DAY AND SET POINTS USED/NOT USED EACH DAY OF THE WEEK

4 SET POINTS SAMPLE

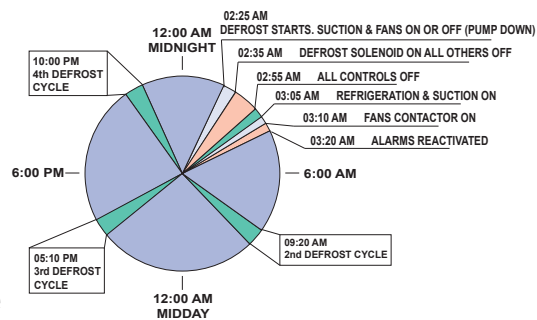


FEATURES: -

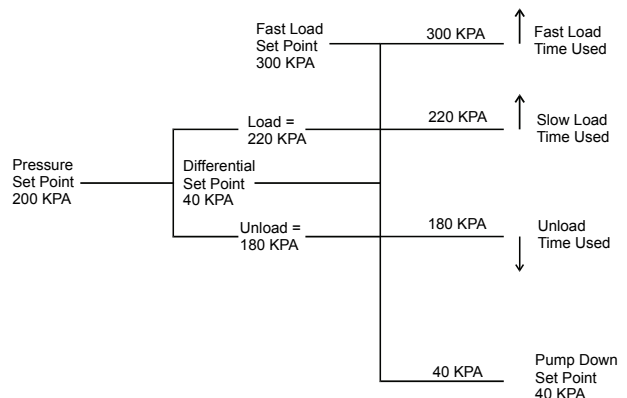
- Easy menu driven spin control setting.
- 4 x 20 character liquid crystal display.
- Full room temperature control.
- Full room defrost control.
- 4 temperature set points and alarms.
- Daily set point. usage.
- Compressor step and variable control.
- Compressor PID control.
- Condenser step and variable control.
- Condenser PID control.
- Data logging
- Real time clock
- Rs232 input/output
- Rs485 input/output
- Remote LED panel display of temperature
- Computer SCADA software communication
- Connect to TempScan

FULL DEFROST CONTROL

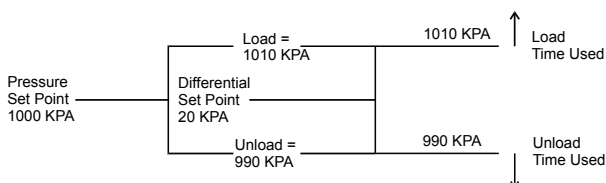
DEFROST SAMPLE



FULL COMPRESSOR CONTROL STEP AND/OR VARIABLE



FULL CONDENSER CONTROL, STEP AND/OR VARIABLE



Distributer

Twite Instruments Pty. Ltd.
18 Flanagan Drive
Tatura Victoria 3616
(03) 5824 1177
0417 50 60 11
www.twite.com.au